



г. Пермь

+7(342)286-14-64

+7(342)243-00-05

Паспорт к товару "Водонагреватель накопительный ARISTON VELIS PRO R ABSE VLS INOX 50"

Ссылка на этот товар в интернет-магазине сантехники и инженерного оборудования Водолей59 vodoley59.ru

<https://vodoley59.ru/products/vodonagrevatel-nakopitelnyi-ariston-velis-pro-r-abse-vls-inox-50>

Добавлено: 07.01.2025



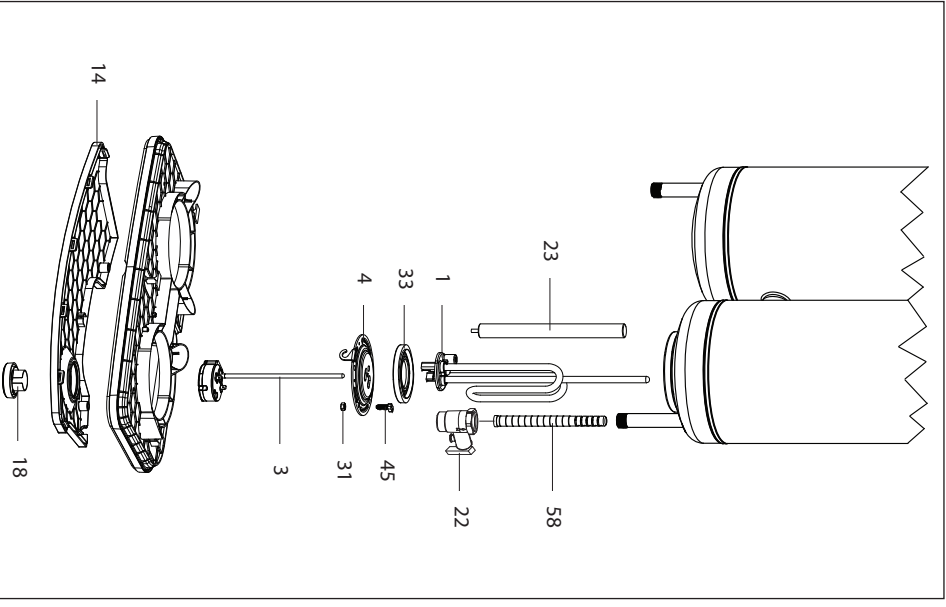
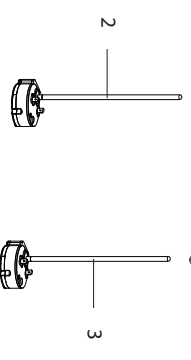
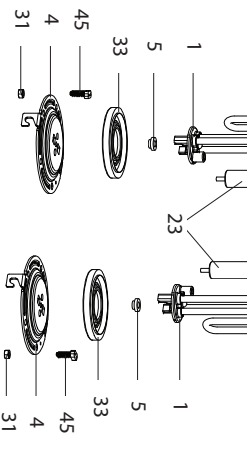
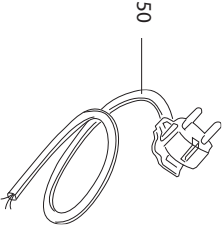
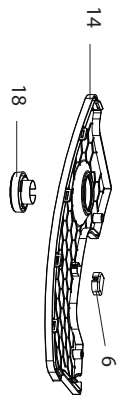
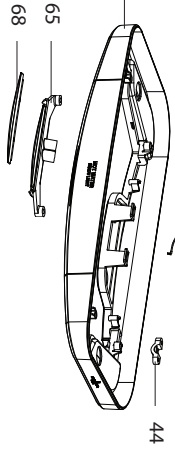
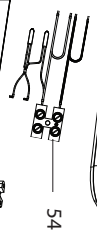
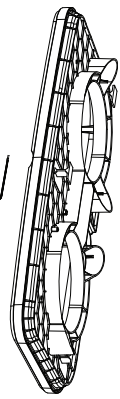
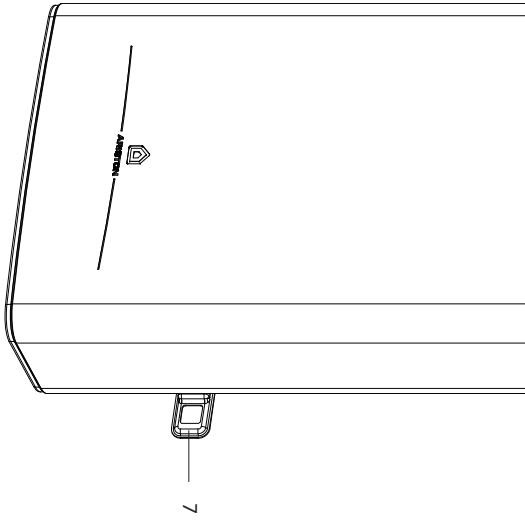
SPARE PARTS EXPLODED VIEW
STORAGE ELECTRIC WATER HEATERS
Model
ABS VLS PRO INOX R

R8218952-04 - 05/04/2024

ABS VLS PRO INOX R

Storage Electric Water Heaters

1	3700685	ABS VLS PRO INOX R 30	04-2021	12-2022
2	3700686	ABS VLS PRO INOX R 50	04-2021	-
3	3700687	ABS VLS PRO INOX R 80	04-2021	-
4	3700688	ABS VLS PRO INOX R 100	04-2021	-
Col	Reference	Model type	Begin	End



ABS VLS INOX R 30
 ABS VLS INOX R 50
 ABS VLS INOX R 80
 ABS VLS INOX R 100

31

Description	Manf. Pt. N	Type																			From	to
			1	2	3	4	5	6	7	8	9	10	11	12	13	14	15	16	17	18		
0001 HEATING ELEMENT 1000W 220-240V	65120782			●	●	●															11/23	10/23
HEATING ELEMENT 1000W 220-240V	65120782			●																	11/23	
HEATING ELEMENT 2000W 220-240V	65115421					●	●														11/23	
HEATING ELEMENT 2000W 220-240V	65111913					●															11/23	
0002 THERMOSTAT	65117771			●	●	●	●														06/21	05/21
THERMOSTAT	65122225			●	●	●	●														06/21	10/23
THERMOSTAT	65122225			●																	06/21	
0003 THERMOSTAT	65117771					●	●															10/23
THERMOSTAT	65117771			●	●																	
THERMOSTAT	65122237						●	●													11/23	
0004 FLANGE (5 HOLES)	65180108					●	●	●													11/23	
FLANGE (5 HOLES)	65180159					●	●	●														10/23
FLANGE (5 HOLES)	65180159			●																		
0005 WASHER	65180158					●	●	●														10/23
WASHER	65180158			●																		
0006 WATER DRAIN STOPPER	65180442			●	●	●	●															
0007 SUPPORT BRACKET	65152905					●	●	●														10/23
SUPPORT BRACKET	65152905			●																		
SUPPORT BRACKET	65180461					●	●	●													11/23	
0014 PLASTIC COVER	65180454					●	●	●														10/23
PLASTIC COVER	65180454			●																		
PLASTIC COVER	65180463					●	●	●													11/23	
0018 KNOB (REGULATION)	65180455					●	●	●														10/23
KNOB (REGULATION)	65180455			●																		
KNOB (REGULATION)	65180464					●	●	●													11/23	
0022 SAFETY VALVE WITH LEVER (1/2" 6 BAR)	65151712			●	●	●	●															
0023 ALUMINIUM ANODE D:18 L:210 M5	65180460					●															11/23	
ALUMINIUM ANODE D:18 L:250 M5	65180466						●	●													11/23	
ANODE D:21,3 L:180 M5	65180015					●	●	●														10/23
ANODE D:21,3 L:180 M5	65180015			●																		
0030 SCREW M6X12	993000			●	●	●	●															
0031 NUT M6	994140			●	●	●	●															
0033 FLANGE GASKET	65111788			●	●	●	●															
0040 BOTTOM BIG PLASTIC COVER	65180452			●	●	●	●															
0044 CABLE CLAMP	573266			●	●	●	●															
0045 SCREW M6X20	65151225			●	●	●	●															
0050 POWER CABLE WITH ELCB (16A 1,0m)	65150965			●	●	●	●															
0054 WIRING	65120783					●	●	●														10/23
WIRING	65120783			●																		
WIRING	65180465					●	●	●													11/23	
0058 BAFFLE (1/2" H=159)	65152176			●	●	●	●															
0059 BAFFLE (1/2" H=100)	65152177			●	●	●	●															10/23
BAFFLE (1/2" H=100)	65152177			●																		
0065 LIGHT CONVEYOR	65180453			●	●	●	●															
0068 LED INDICATOR	65180449			●	●	●	●															
0069 BY-PASS CONNECTION	65154293			●	●	●	●															

LIST OF THE ABBREVIATIONS

HW	: Hot water.
CW	: Cold water.
C	: Ceramic resistance (normal heating).
Ca	: Ceramic resistance (accelerated heating)
TP	: Immersion heater.
1F	: With fittings.
2F	: Without fittings.
3F	: With fittings and another outlet connection.
AMI	: With mixing valve.
SMI	: Without mixing valve.
PUISS	: Power of th appliance.
PN	: Appliance with normal pression.
LP	: Appliance with low pression.
PV	: Appliance with variable power.
PF	: Appliance with fixed power.

IDENTIFICATION PLATE

SERIAL NUMBER

6 Characters :
 Year of manufacture 03 09 08 Manufacturing day
 Month of manufacture

9 Characters :
 Year of manufacture 5 9 12 0606 Sequential number
 Month of manufacture

14 Characters :
 SI-V-0B0 45 07 0001
 Sequential number
 Year of manufacture : 6 → 2004
 Month of manufacture : → 25 → January 43 → July 7 → 2005
 13 → February 29 → August 8 → 2006
 32 → March 40 → September etc ...
 35 → April 38 → October
 39 → May 51 → November
 45 → June 12 → December
 Product model

14 Characters :
 111518 XX 000010
 Month of manufacture 11 15 Sequential number
 Day of manufacture 18 Year of manufacture

15 Characters :
 02 11 00001 007843
 Year of manufacture 02 11 Product reference
 Month of manufacture 00001 007843 Sequential number

21 Characters :
 3200050 XX 08115 0000001
 Product reference 3200050 XX 08115 Sequential number
 Year (08) / Manufacturing day (115)

22 Characters :
 3200050 XX 070115 0000001
 Product reference 3200050 XX 070115 Sequential number
 Year (07) / Month (01) / Manufacturing day (15)